

DOMINO 4 RECESSED TRIMLESS

12° NARROW BEAM



TECHNICAL DESCRIPTION

Domino 4 Recessed Trimless is a Constant Current multi source LED spotlight that is machined from aerospace grade aluminium 6063-T6 and comes as standard in white, black and brushed aluminium. It has five site-changeable beam distributions including elliptical beams. The narrow beam in our 8.96W 720lm module has a peak intensity of 6264cd.

MECHANICAL & ELECTRICAL

CATEGORY IP20

MATERIAL Machined AL 6063-T6

PAN N/A

TILT N/A

LOCKABLE N/A

WEIGHT 181g | 0.40lb

WATTAGE 8.96W

FORWARD VOLTAGE 12.8V

DRIVE CURRENT 700mA

SUPPLY TYPE Constant Current

DRIVER LOCATION Remote

DIMMING DALI | 0-10V | 1-10V | Casambi

MOUNTING

MOUNTING Recessed

CEILING THICKNESS 5-25mm (0.20-0.98")

CUTOUT ø44mm x 66mm (1.73" x 2.60")

MIN CEILING VOID 20mm (0.79") clearance above

FINISHES

FINISHES Brushed Aluminium | Black RAL9005 Visible

*Premium & custom finishes are built & finished to order. These are subject to an extended lead time & MOQ.

OPTICAL & STANDARDS

NOMINAL LUMENS 720lm

DELIVERED LUMENS 656lm

COLOUR TEMPERATURE 2700K | 3000K

ACCESSORY HOLDER N/A

ACCESSORIES N/A

TM65 11.09kgCO2e

TM66 2.1

BEAM ANGLE 12°

CRI 95 TYP

TM-30 RF: 93 RG: 99

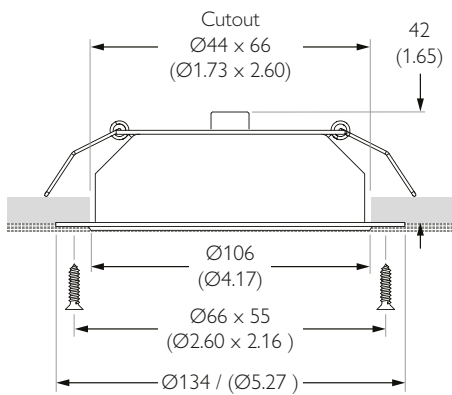
WARRANTY 5 Years

LIFETIME L90B10 100,000hrs

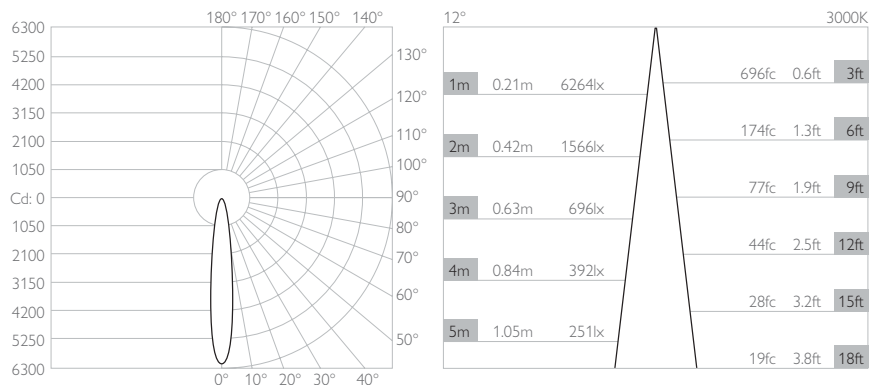
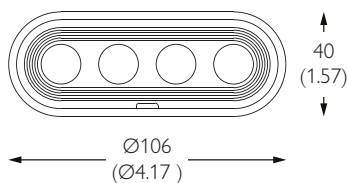
STANDARDS



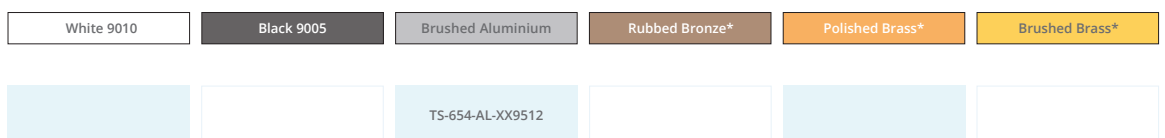
Photometry shown is for 3000K module. Please enquire for other CCT photometry.



mm (inches)



LUMINAIRE FINISH



*All premium & custom finishes are built & finished to order. These are subject to an extended lead time & MOQ

For 3000K Substitute XX with 30

For 2700K Substitute XX with 27

DOMINO 4 RECESSED TRIMLESS

30° FLOOD BEAM



TECHNICAL DESCRIPTION

Domino 4 Recessed Trimless is a Constant Current multi source LED spotlight that is machined from aerospace grade aluminium 6063-T6 and comes as standard in white, black and brushed aluminium. It has five site-changeable beam distributions including elliptical beams. The flood beam in our 8.96W 720lm module has a peak intensity of 1880cd.

MECHANICAL & ELECTRICAL

CATEGORY IP20

MATERIAL Machined AL 6063-T6

PAN N/A

TILT N/A

LOCKABLE N/A

WEIGHT 181g | 0.40lb

WATTAGE 8.96W

FORWARD VOLTAGE 12.8V

DRIVE CURRENT 700mA

SUPPLY TYPE Constant Current

DRIVER LOCATION Remote

DIMMING DALI | 0-10V | 1-10V | Casambi

MOUNTING

MOUNTING Recessed

CEILING THICKNESS 5-25mm (0.20-0.98")

CUTOUT ø44mm x 66mm (1.73" x 2.60")

MIN CEILING VOID 20mm (0.79") clearance above

FINISHES

FINISHES Brushed Aluminium | Black RAL9005 Visible

*Premium & custom finishes are built & finished to order. These are subject to an extended lead time & MOQ.

OPTICAL & STANDARDS

NOMINAL LUMENS 720lm

DELIVERED LUMENS 600lm

COLOUR TEMPERATURE 2700K | 3000K

ACCESSORY HOLDER N/A

ACCESSORIES N/A

TM65 11.09kgCO2e

TM66 2.1

BEAM ANGLE 30°

CRI 95 TYP

TM-30 RF: 93 RG: 99

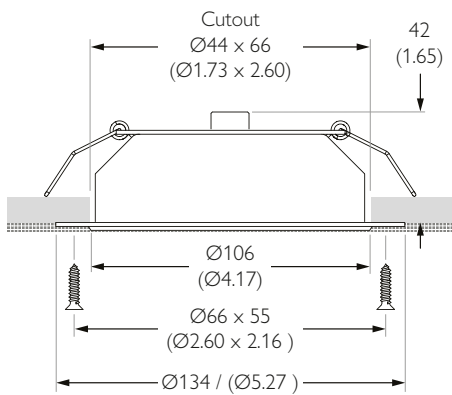
WARRANTY 5 Years

LIFETIME L90B10 100,000hrs

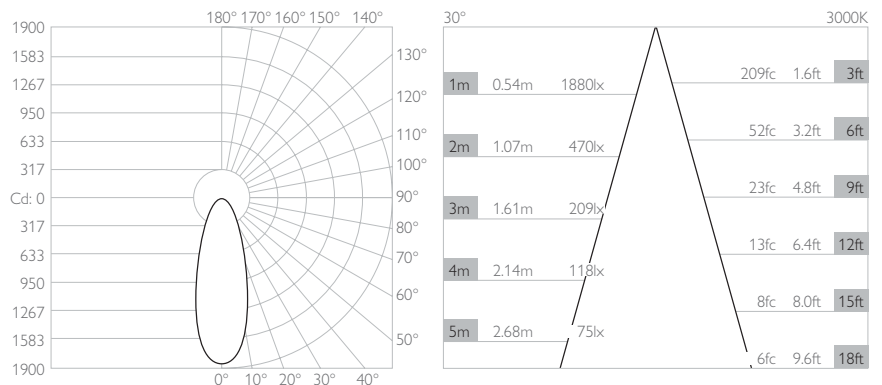
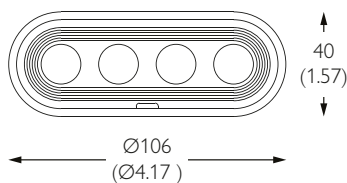
STANDARDS



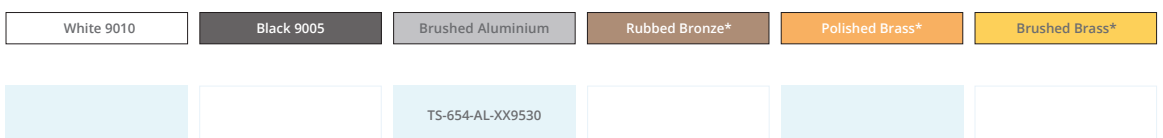
Photometry shown is for 3000K module. Please enquire for other CCT photometry.



mm (inches)



LUMINAIRE FINISH



*All premium & custom finishes are built & finished to order. These are subject to an extended lead time & MOQ

For 3000K Substitute XX with 30

For 2700K Substitute XX with 27

DOMINO 4 RECESSED TRIMLESS

60° WIDE FLOOD BEAM



TECHNICAL DESCRIPTION

Domino 4 Recessed Trimless is a Constant Current multi source LED spotlight that is machined from aerospace grade aluminium 6063-T6 and comes as standard in white, black and brushed aluminium. It has five site-changeable beam distributions including elliptical beams. The wide flood beam in our 8.96W 720lm module has a peak intensity of 652cd.

MECHANICAL & ELECTRICAL

CATEGORY IP20

MATERIAL Machined AL 6063-T6

PAN N/A

TILT N/A

LOCKABLE N/A

WEIGHT 181g | 0.40lb

WATTAGE 8.96W

FORWARD VOLTAGE 12.8V

DRIVE CURRENT 700mA

SUPPLY TYPE Constant Current

DRIVER LOCATION Remote

DIMMING DALI | 0-10V | 1-10V | Casambi

MOUNTING

MOUNTING Recessed

CEILING THICKNESS 5-25mm (0.20-0.98")

CUTOUT ø44mm x 66mm (1.73" x 2.60")

MIN CEILING VOID 20mm (0.79") clearance above

FINISHES

FINISHES Brushed Aluminium | Black RAL9005 Visible

*Premium & custom finishes are built & finished to order. These are subject to an extended lead time & MOQ.

OPTICAL & STANDARDS

NOMINAL LUMENS 720lm

DELIVERED LUMENS 652lm

COLOUR TEMPERATURE 2700K | 3000K

ACCESSORY HOLDER N/A

ACCESSORIES N/A

TM65 11.09kgCO2e

TM66 2.1

BEAM ANGLE 60°

CRI 95 TYP

TM-30 RF: 93 RG: 99

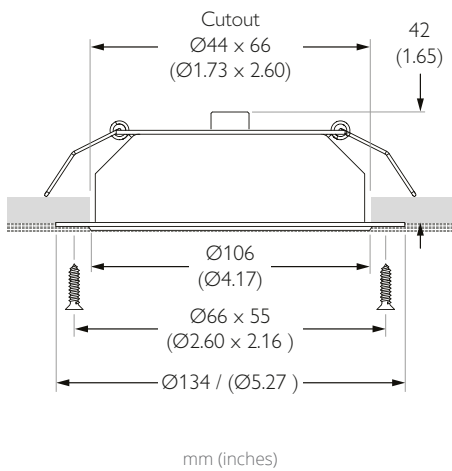
WARRANTY 5 Years

LIFETIME L90B10 100,000hrs

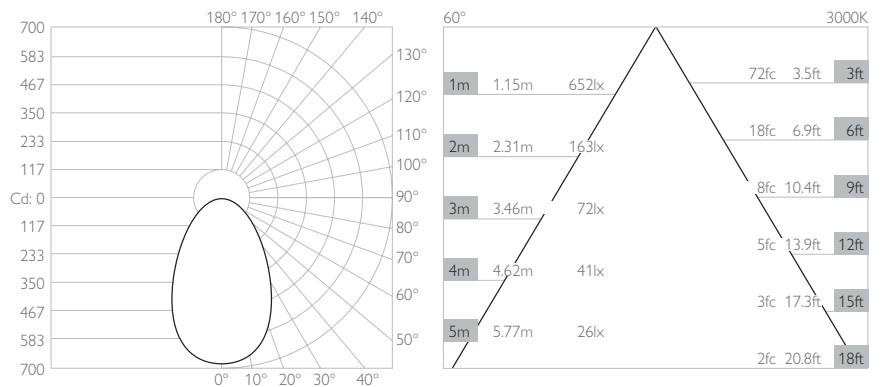
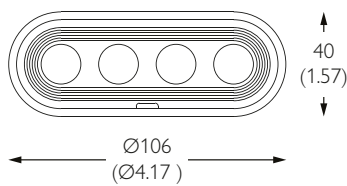
STANDARDS



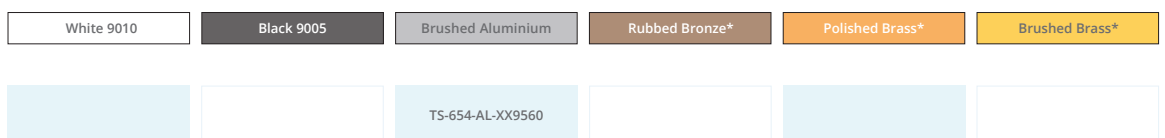
Photometry shown is for 3000K module. Please enquire for other CCT photometry.



mm (inches)



LUMINAIRE FINISH



*All premium & custom finishes are built & finished to order. These are subject to an extended lead time & MOQ

For 3000K Substitute XX with 30

For 2700K Substitute XX with 27

DOMINO 4 RECESSED TRIMLESS

12X35° ELLIPSE BEAM



TECHNICAL DESCRIPTION

Domino 4 Recessed Trimless is a Constant Current multi source LED spotlight that is machined from aerospace grade aluminium 6063-T6 and comes as standard in white, black and brushed aluminium. It has five site-changeable beam distributions including elliptical beams. The ellipse beam in our 8.96W 720lm module has a peak intensity of 3888cd.

MECHANICAL & ELECTRICAL

CATEGORY IP20

MATERIAL Machined AL 6063-T6

PAN N/A

TILT N/A

LOCKABLE N/A

WEIGHT 181g | 0.40lb

WATTAGE 8.96W

FORWARD VOLTAGE 12.8V

DRIVE CURRENT 700mA

SUPPLY TYPE Constant Current

DRIVER LOCATION Remote

DIMMING DALI | 0-10V | 1-10V | Casambi

MOUNTING

MOUNTING Recessed

CEILING THICKNESS 5-25mm (0.20-0.98")

CUTOUT ø44mm x 66mm (1.73" x 2.60")

MIN CEILING VOID 20mm (0.79") clearance above

FINISHES

FINISHES Brushed Aluminium | Black RAL9005 Visible

*Premium & custom finishes are built & finished to order. These are subject to an extended lead time & MOQ.

OPTICAL & STANDARDS

NOMINAL LUMENS 720lm

DELIVERED LUMENS 656lm

COLOUR TEMPERATURE 2700K | 3000K

ACCESSORY HOLDER N/A

ACCESSORIES N/A

TM65 11.09kgCO2e

TM66 2.1

BEAM ANGLE 12x35°

CRI 95 TYP

TM-30 RF: 93 RG: 99

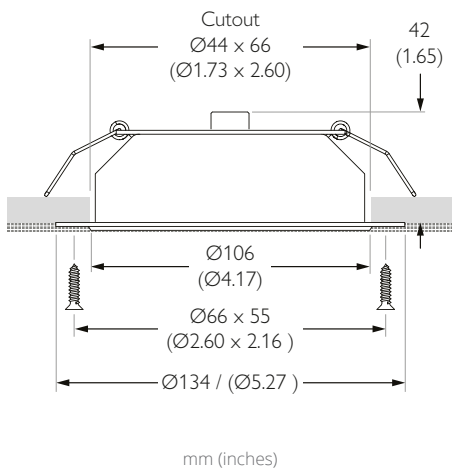
WARRANTY 5 Years

LIFETIME L90B10 100,000hrs

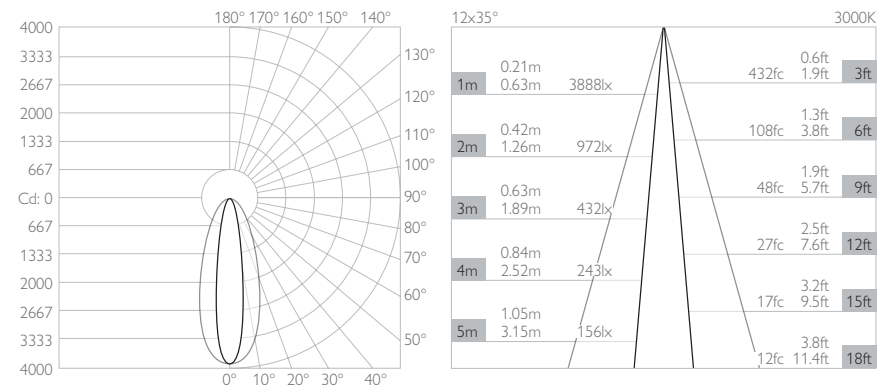
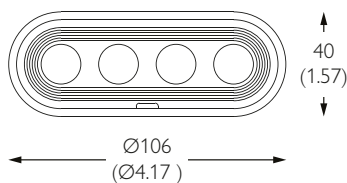
STANDARDS



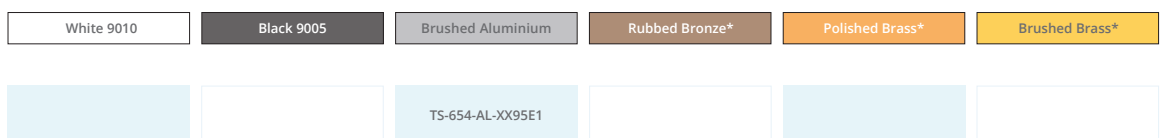
Photometry shown is for 3000K module. Please enquire for other CCT photometry.



mm (inches)



LUMINAIRE FINISH



*All premium & custom finishes are built & finished to order. These are subject to an extended lead time & MOQ

For 3000K Substitute XX with 30

For 2700K Substitute XX with 27

DOMINO 4 RECESSED TRIMLESS

35X12° VERTICAL ELLIPSE BEAM



TECHNICAL DESCRIPTION

Domino 4 Recessed Trimless is a Constant Current multi source LED spotlight that is machined from aerospace grade aluminium 6063-T6 and comes as standard in white, black and brushed aluminium. It has five site-changeable beam distributions including elliptical beams. The vertical ellipse beam in our 8.96W 720lm module has a peak intensity of 3888cd.

MECHANICAL & ELECTRICAL

CATEGORY IP20

MATERIAL Machined AL 6063-T6

PAN N/A

TILT N/A

LOCKABLE N/A

WEIGHT 181g | 0.40lb

WATTAGE 8.96W

FORWARD VOLTAGE 12.8V

DRIVE CURRENT 700mA

SUPPLY TYPE Constant Current

DRIVER LOCATION Remote

DIMMING DALI | 0-10V | 1-10V | Casambi

MOUNTING

MOUNTING Recessed

CEILING THICKNESS 5-25mm (0.20-0.98")

CUTOUT ø44mm x 66mm (1.73" x 2.60")

MIN CEILING VOID 20mm (0.79") clearance above

FINISHES

FINISHES Brushed Aluminium | Black RAL9005 Visible

*Premium & custom finishes are built & finished to order. These are subject to an extended lead time & MOQ.

OPTICAL & STANDARDS

NOMINAL LUMENS 720lm

DELIVERED LUMENS 656lm

COLOUR TEMPERATURE 2700K | 3000K

ACCESSORY HOLDER N/A

ACCESSORIES N/A

TM65 11.09kgCO2e

TM66 2.1

BEAM ANGLE 35x12°

CRI 95 TYP

TM-30 RF: 93 RG: 99

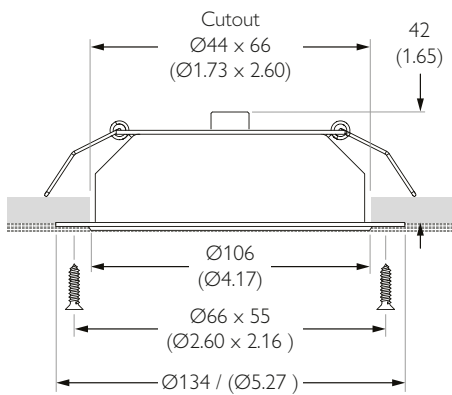
WARRANTY 5 Years

LIFETIME L90B10 100,000hrs

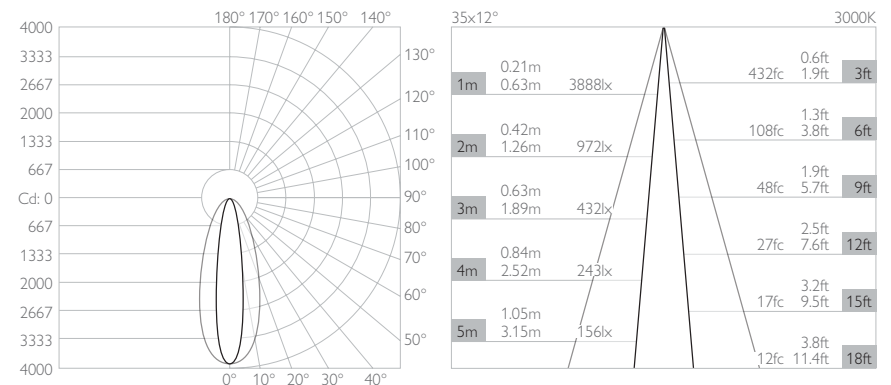
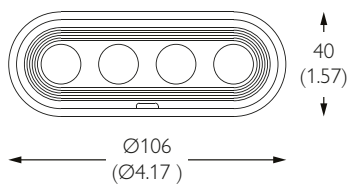
STANDARDS



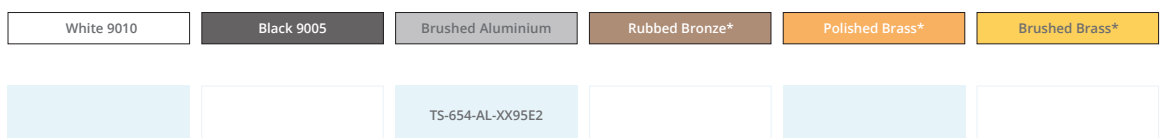
Photometry shown is for 3000K module. Please enquire for other CCT photometry.



mm (inches)



LUMINAIRE FINISH



*All premium & custom finishes are built & finished to order. These are subject to an extended lead time & MOQ

For 3000K Substitute XX with 30

For 2700K Substitute XX with 27

DOMINO 4

DRIVER COMPATIBILITY

20W | DIMMING: DALI OR 0-10V

NO. OF LIGHTS PER DRIVER 1 to 2 in series

MIN DIM LEVEL 0.1%

VOLTAGE REGION 230V

FOR NORTH AMERICA No

WATTAGE 20W

SUPPLY TYPE Constant Current

DRIVER LOCATION Remote

MANUFACTURER Eldoled



DALI CODE PSCC-20-700-D-EL

0-10V CODE PSCC-20-700-A-EL

LENGTH 160mm (6.30") WIDTH 41mm (1.63") HEIGHT 30mm (1.18")



30W | DIMMING: DALI OR 0-10V

NO. OF LIGHTS PER DRIVER 1 to 3 in series

MIN DIM LEVEL 0.1%

VOLTAGE REGION 120V

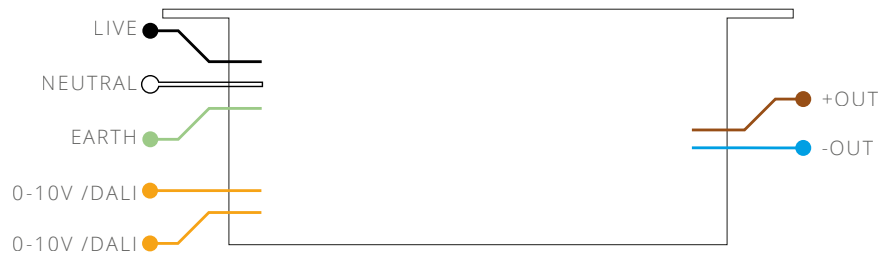
FOR NORTH AMERICA Yes

WATTAGE 30W

SUPPLY TYPE Constant Current

DRIVER LOCATION Remote

MANUFACTURER Eldoled



DALI CODE USCC-30-700-D-EL-ENC

0-10V CODE USCC-30-700-A-EL-ENC

LENGTH 348mm (13.7") WIDTH 65mm (2.6") HEIGHT 47mm (1.9")



12W | DIMMING: PHASE

NO. OF LIGHTS PER DRIVER 1

MIN DIM LEVEL 1%

VOLTAGE REGION 120V

FOR NORTH AMERICA Yes

WATTAGE 12W

SUPPLY TYPE Constant Current

DRIVER LOCATION Remote

MANUFACTURER Hatch



PHASE CODE USCC-12-700-P-HT-ENC

LENGTH 247mm (9.7") WIDTH 65mm (2.6") HEIGHT 47mm (1.9")

